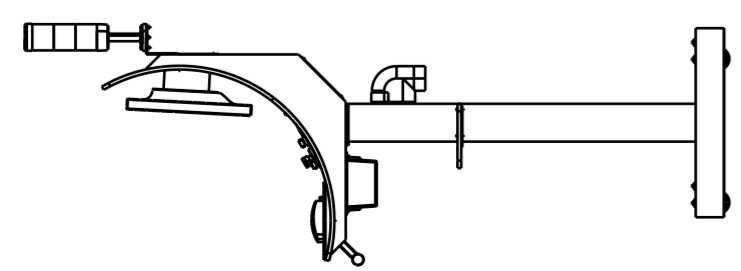
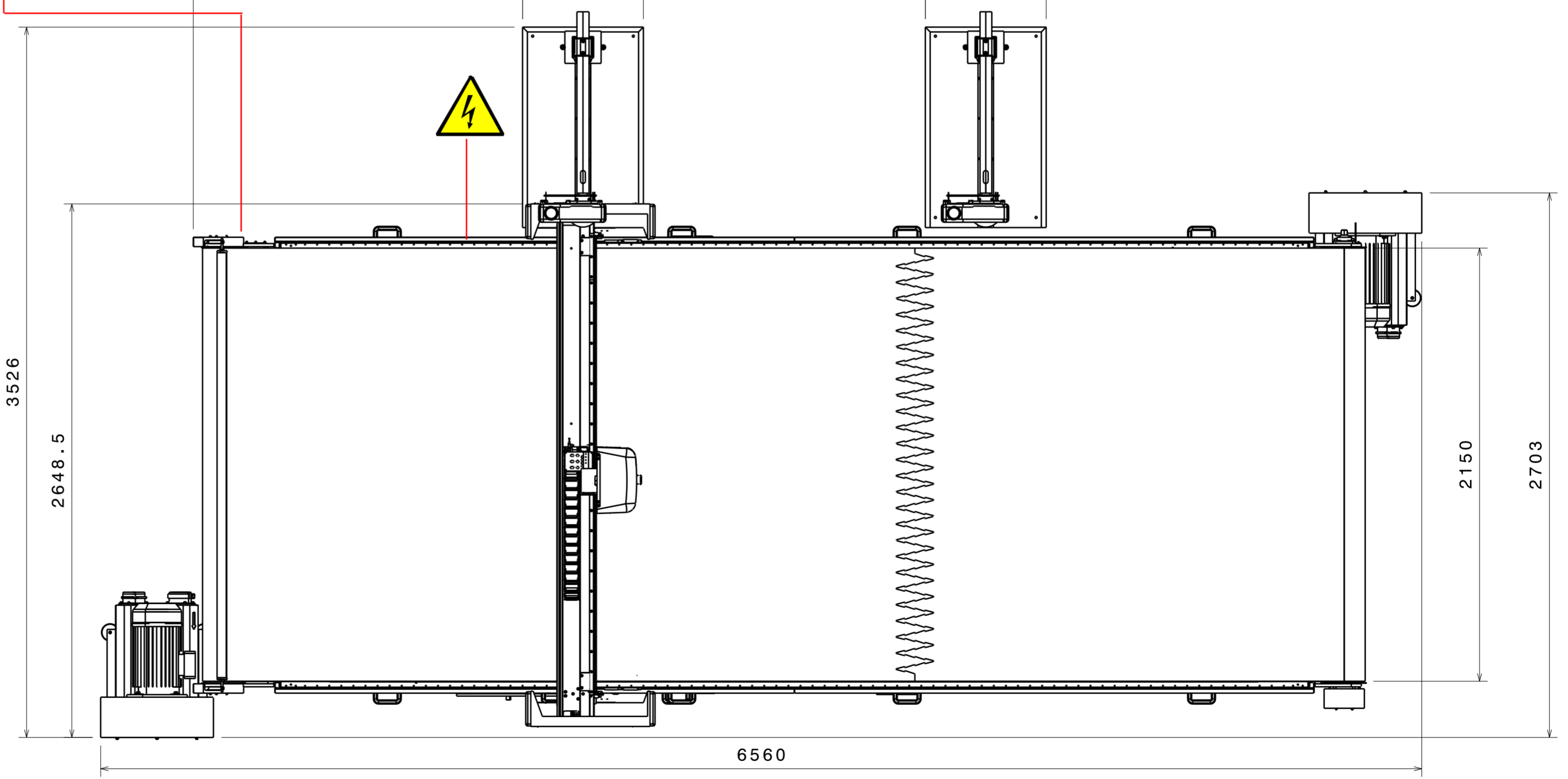
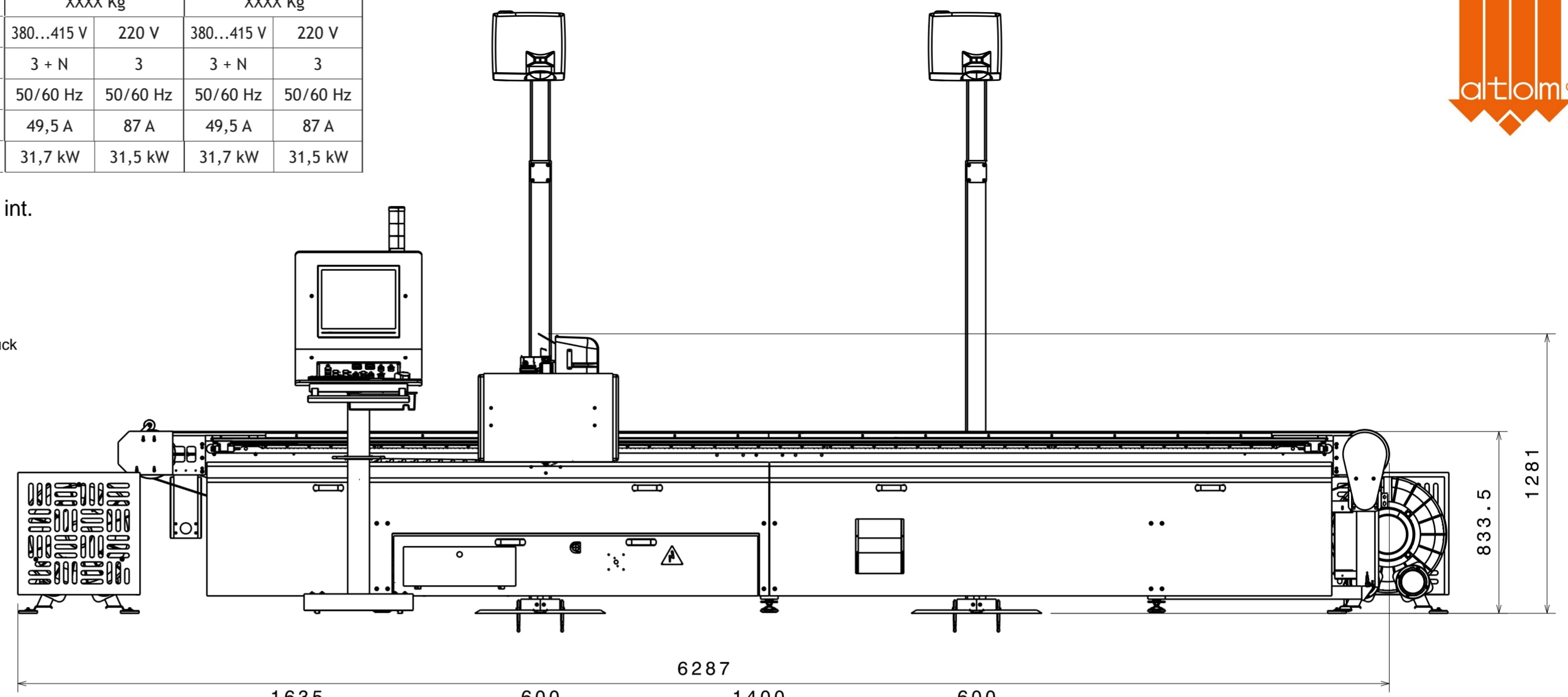
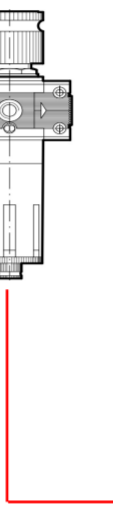
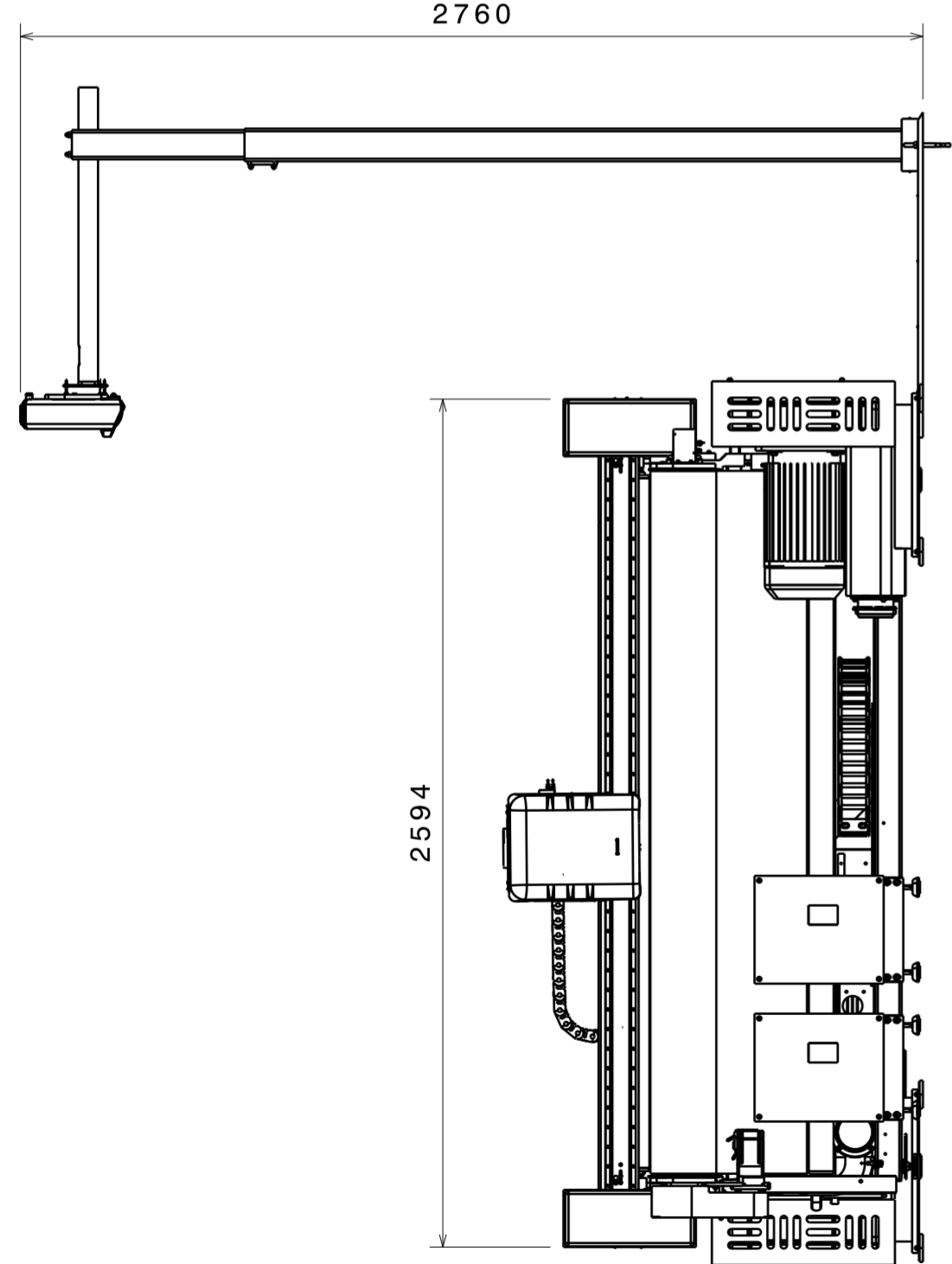
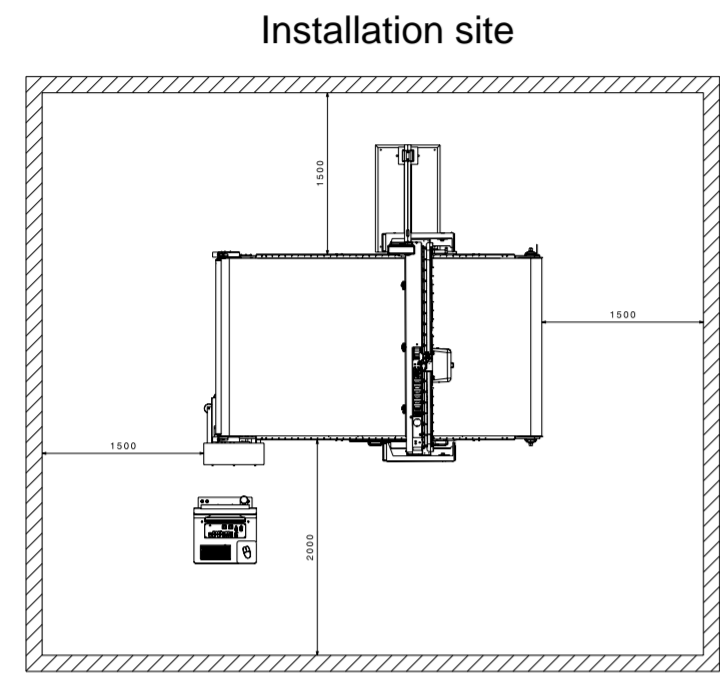


MODEL	FXC 4020/B 1P		FXC 4020/B UP 1P		FXC 4020/B 2P		FXC 4020/B UP 2P	
WEIGHT	XXXX Kg		XXXX Kg		XXXX Kg		XXXX Kg	
RATED VOLTAGE	380...415 V	220 V	380...415 V	220 V	380...415 V	220 V	380...415 V	220 V
PHASES	3 + N	3	3 + N	3	3 + N	3	3 + N	3
NOMINAL FREQUENCY	50/60 Hz	50/60 Hz	50/60 Hz	50/60 Hz	50/60 Hz	50/60 Hz	50/60 Hz	50/60 Hz
NOMINAL CURRENT	27 A	47 A	27 A	47 A	49,5 A	87 A	49,5 A	87 A
NOMINAL POWER	17,1 kW	17,1 kW	17,1 kW	17,1 kW	31,7 kW	31,5 kW	31,7 kW	31,5 kW



Thermal switcher required: 0.3 A in "D" curve

14mm ext. 12mm int.  
pneumatic tube  
With pneumatic chuck  
**770 lt/min**  
**9 bar**  
Without pneumatic chuck  
**100 lt/min**  
**7 bar**



It is the user's responsibility to ensure the required connection requirements